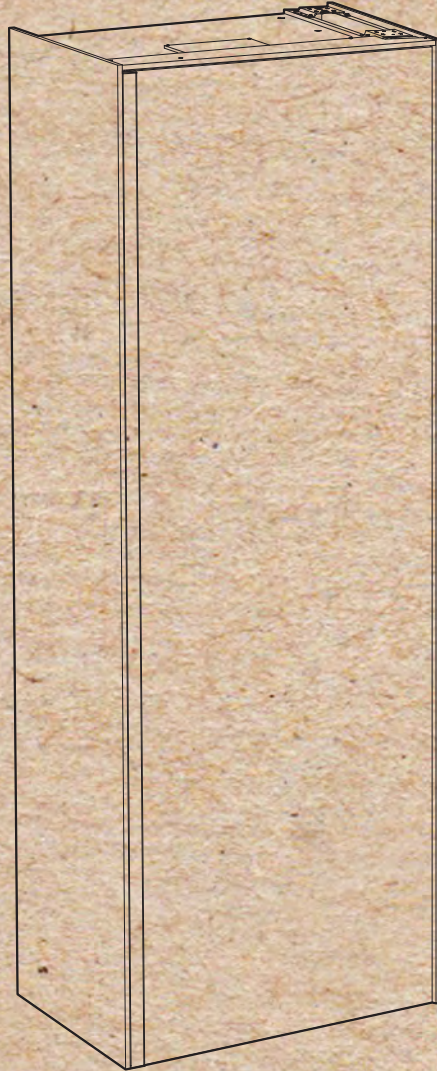


INSTRUCTION MANUAL

H2 POCKET

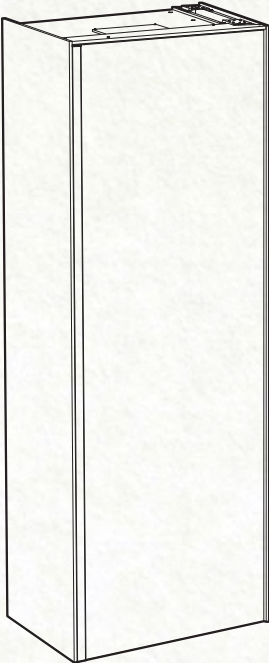


DESIGN BY NOTE DESIGN STUDIO

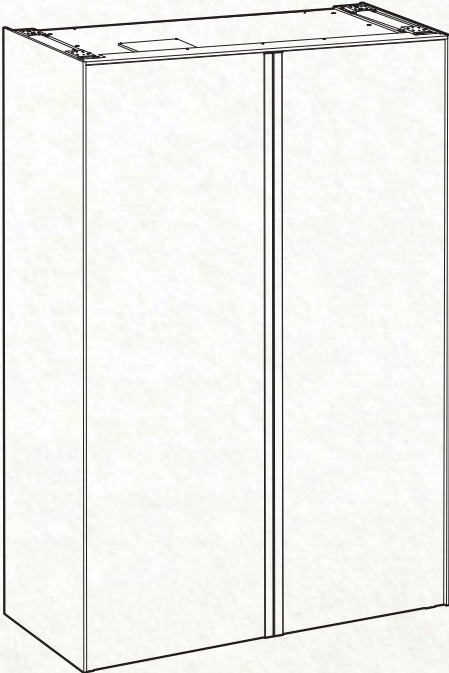
HAVEN

SERIES INFORMATION

SERIES H2 POCKET SINGLE



SERIES H2 POCKET DOUBLE



INTRODUCTION

HAVEN creates bathrooms for life, as it is.

The bathroom is perhaps our most private room, a place where we have no choice but to be ourselves. It's a place to make yourself look nice, a room for transformation. We can choose to make it into a harmonious place. A room for well-being and recovery. But, it's not just us people who should live in harmony in the bathroom. We have all our things as well: soaps, shampoos, makeup, scents, towels ... well, you know how it is when reality gets into the bathroom.

Haven was created on the basis of reality. A series of bathroom furniture with pure harmonic lines, minimalistic design that bring our thoughts to Japanese and Scandinavian design tradition. The materials are natural and the colors soft in tones that do well even in bathroom lighting. We create harmonious rooms. But for the harmony to last even when the people come into the picture, we have taken the design a step further. Pull out a drawer and you will see. The perforated material lets in light and makes it easier to find bottles and tubes. You will also discover the tray with the handle inside the drawer that allows you to lift up your items for easy access.

First impression is important for how a room should be experienced. But it is the second, third, fourth that determines how we live in a room. And that is what we want you to feel. We focus on harmony in functions, in the small details. After all, life is nothing you look at. Life is what you live.

HAVEN is Swedish bathroom furniture that is manufactured in Oskarström in Halland. Here by the river Nissan, just under twenty kilometers upstream from Halmstad, is a historic heritage of manufacturing and industry. A unique working environment that is an important inspiration for us. We would like to see ourselves as part of an old fine craft tradition. Our goal is to make bathroom furnitures with good design, smart function and high quality available to more people.

CARE AND MAINTENANCE

WARRANTY TERMS

10 YEARS WARRANTY

With our philosophy of quality, safe material choices, and attention to details we offer you a 10-year warranty on our furniture. A benefit for you as a customer and makes the purchase even safer.

The warranty applies to manufacturing and material defects. The warranty applies from the original purchase date of the product. To be eligible for warranty, the product must be assembled correctly, according to the assembly instructions, and general care advice should be followed. Bathroom furniture exposed to direct contact with running water is not covered by the warranty. The warranty does not cover defects caused by external influences, normal wear and tear, incorrect use, or improper cleaning. Defective parts will be replaced with the same or equivalent product from the current range. Any assembly costs are not covered. Installation of water and electricity should be carried out by a professional and in compliance with the national building regulations. Otherwise, the consumer warranty guidelines apply. The warranty applies with presentation of original receipt/purchase order.

CARE INSTRUCTIONS

FRAMES AND DOORS

For cleaning, we recommend using a damp cotton cloth with a mild cleaning agent such as gentle dish soap or soap. Avoid using strong cleaning agents that may damage the product. Bathroom furniture is, of course, exposed to more moisture than furniture in other rooms of the home. Our bathroom furniture is designed for the bathroom and made of moisture-resistant materials. However, even though our bathroom furniture is designed for this, they should not be exposed to water or extremely high humidity. Ensure that ventilation is adequate, and the furniture is placed at a distance from bathtubs/showers to avoid direct splashes on the furniture. Damp spots, even with regular water, should be wiped up as soon as possible. Take care of your bathroom furniture, and it will provide comfort for many years to come.

SKÖTSELRÅD

STOMMAR OCH LUCKOR

För rengöring rekommenderar vi att man använder en fuktig bomullstrasa med ett mildt rengöringsmedel som t.ex. mildt diskmedel eller såpa. Undvik att använda starka rengöringsmedel som kan skada produkten. Badrumsmöbler utsätts givetvis för mer fukt än möbler i övriga rum i hemmet. Våra badrumsmöbler är anpassade för badrummet och gjorda i fukttåliga material. Men även om våra badrumsmöbler är det, ska de inte utsättas för vatten eller extremt hög luftfuktighet. Tänk på att se till att ventilationen är god och att möblerna placeras på ett sådant avstånd från badkar/dusch att vatten inte kan skvätta direkt på möbelen. Blöta fläckar, även vanligt vatten, torkas upp så snart som möjligt. Vårda din badrumsmöbel med omsorg, då kommer den att skänka trivsel i många år framöver.

VEDLIKEHOLDSRÅD

SKROG OG FRONTER

Ved rengjøring anbefaler vi å bruke en fuktig bomullsklut med ett mildt rengjøringsmiddel som for eksempel mildt vaskemiddel eller såpe. Unngå å bruke sterke rengjøringsmidler da dette kan skade produktet. Baderomsmøbler utsettes normalt for mer fukt enn møbler i øvrige rom i hjemmet. Våre baderomsmøbler er tilpasset baderommet og er laget i materialer som tåler fuktige omgivelser. Selv om våre baderomsmøbler tåler en del fukt, skal de ikke utsettes for vann eller ekstremt høy luftfuktighet. Kontroller også at ventilasjonen er god og sørg for at møblene plasseres med såpass avstand fra badekar/dusj at vann ikke spruter direkte på møbelet. Våte flekker og vann, tørkes opp så snart som mulig. Ta godt vare på ditt baderomsmøbel og det vil gi deg trivsel i mange år fremover.

VEDLIGEHOLDELSE AF PRODUKTER

RAMMER OG LÅGER

Vi anbefaler at man bruger en opvredet klud med mildt rengøringsmiddel. Undgå brug af stærkt rengøringsmiddel som kan skade produktet. Badeværelsesmøblet udsættes givetvis for mere fugt end andre møbler, i de øvrige værelser. Vores badeværelsesmøbler er tilpasset til badeværelset og lavet i fugtluks materiale. Men til trods for det, må de ikke udsættes for vand eller ekstrem høj luftfugtighed. Du bør sikre dig at ventilationen er god og produktet placeres i forsvarlig afstand til badekar/ bad så vandet ikke rammer møblet. Ved at passe godt på badeværelsesmøblet, holder det længst tid.

HOITO-OHJEET

RUNGOT JA OVET

Suosittellemme puhdistukseen kostean puuvillaliinan käyttöä miedolla pesuaineella, esim. mietoa pesuainetta tai saippuaa. Vältä käyttämästä vahvoja puhdistusaineita, jotka voivat vahingoittaa tuotetta. Kylpyhuoneen kalusteet altistuvat luonnollisesti enemmän kosteudelle kuin kodin muiden huoneiden huonekalut. Kylpyhuonekalusteemme on mukautettu kylpyhuoneeseen ja valmistettu kosteutta kestävästä materiaaleista. Mutta vaikka kylpyhuonekalusteet ovat näin valmistettu, niitä ei saa altistaa suoraan vedelle tai erittäin korkealle kosteudelle. Muista huolehtia hyvästä ilmanvaihdosta ja että huonekalut on sijoitettu niin kauas kylpyammeesta/suihkusta, ettei vettä pääse roiskumaan suoraan tuotteiden päälle. Roiskeet, jopa tavallinen vesi, pitää pyyhkiä mahdollisimman pian pois. Käsittele kylpyhuonekalusteitasi huolellisesti, niin ne tarjoavat mukavuutta useiden vuosien ajan.

1

FASTENERS AND ASSEMBLY ITEMS FOR ONE H2 POCKET SINGLE



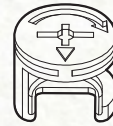
2x



12x



6x



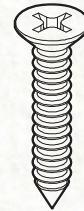
6x



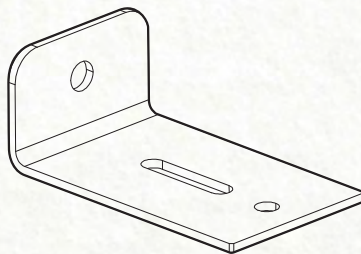
12x



4x



2x



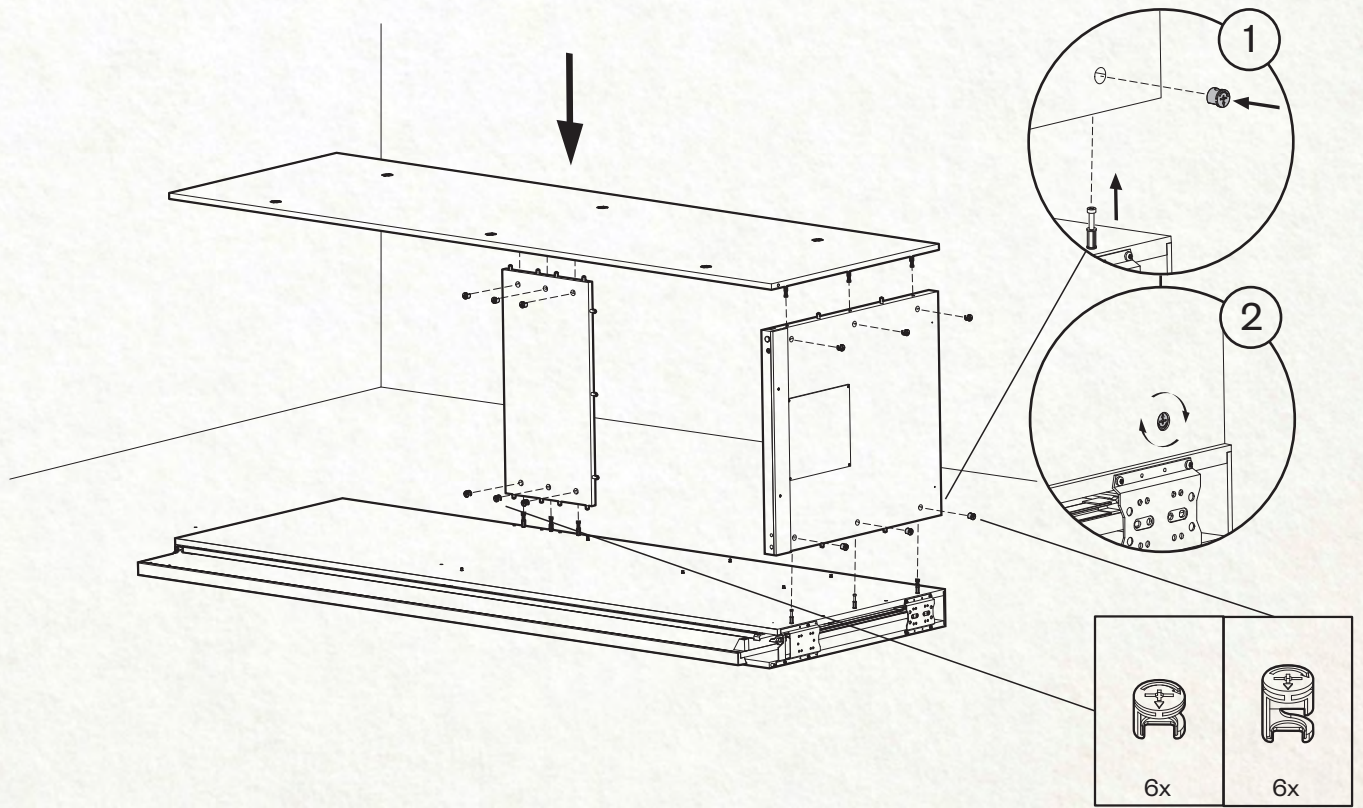
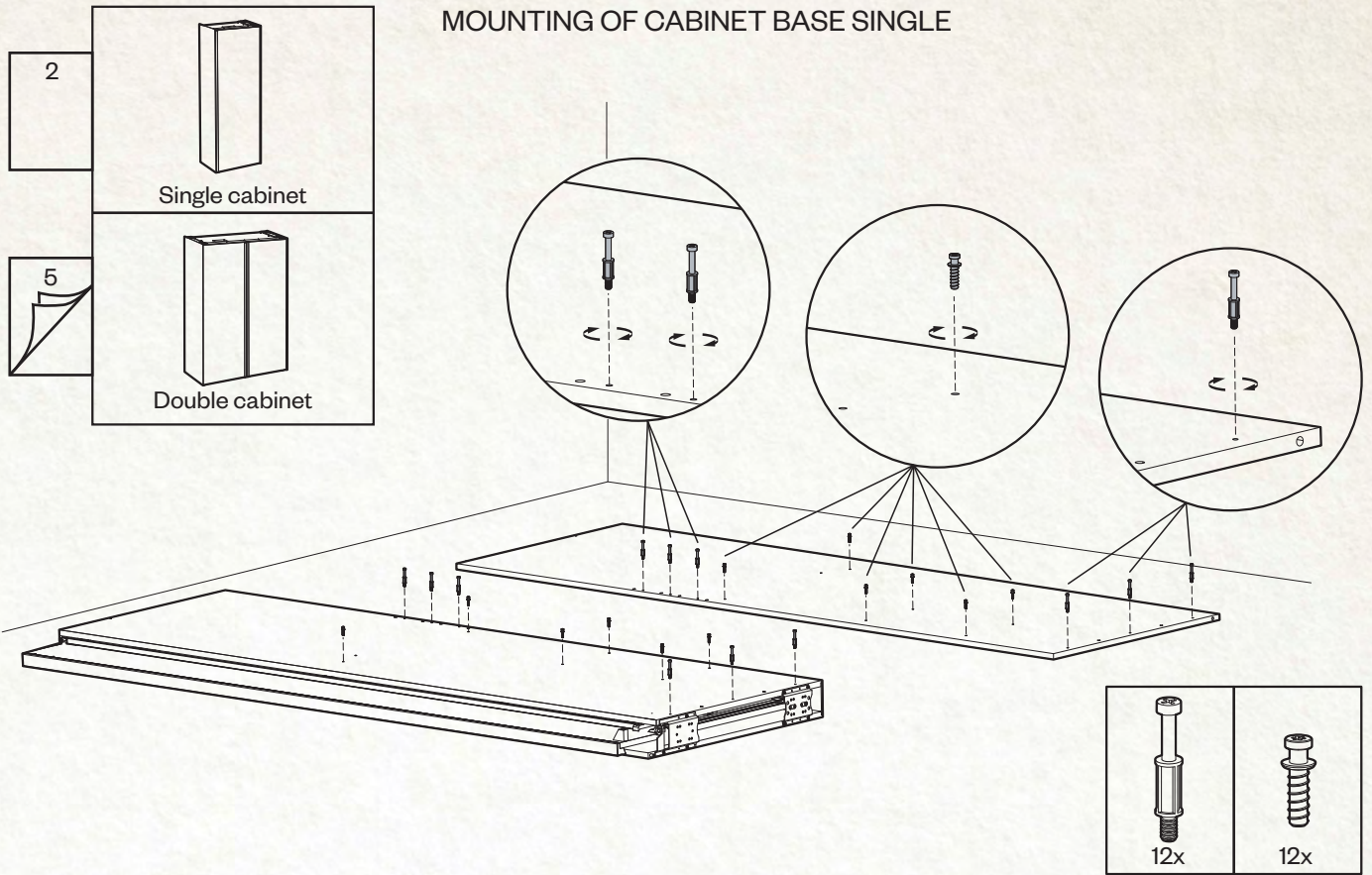
2x



2x

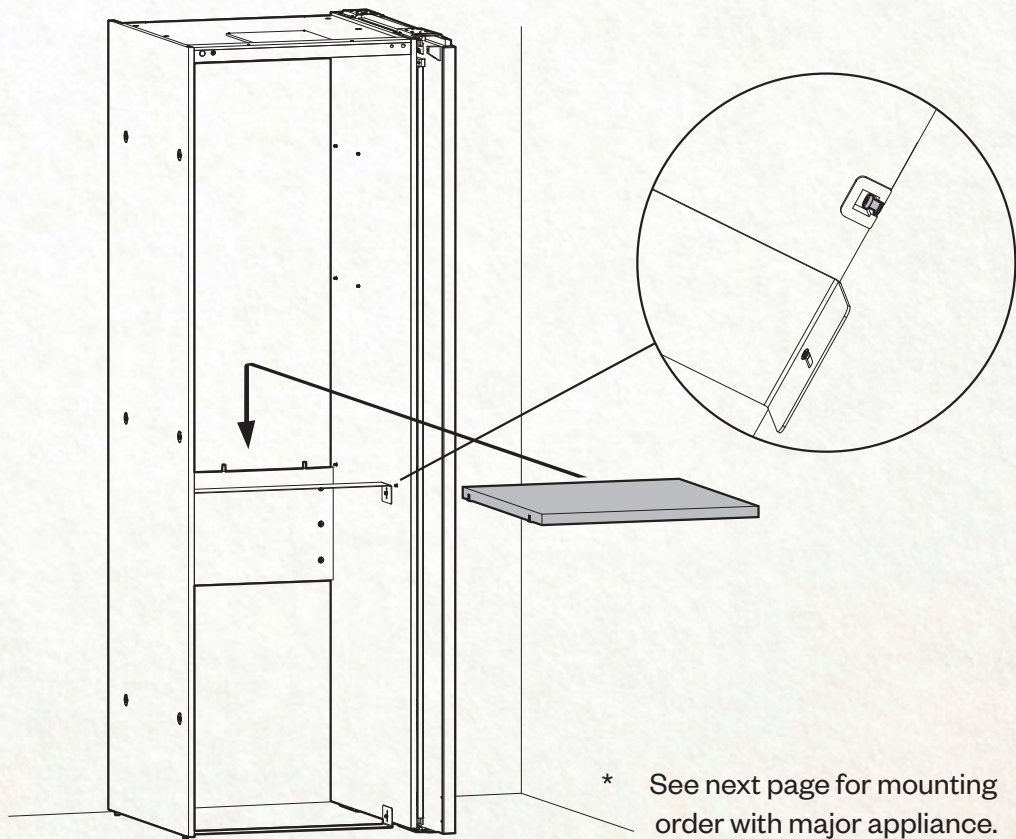
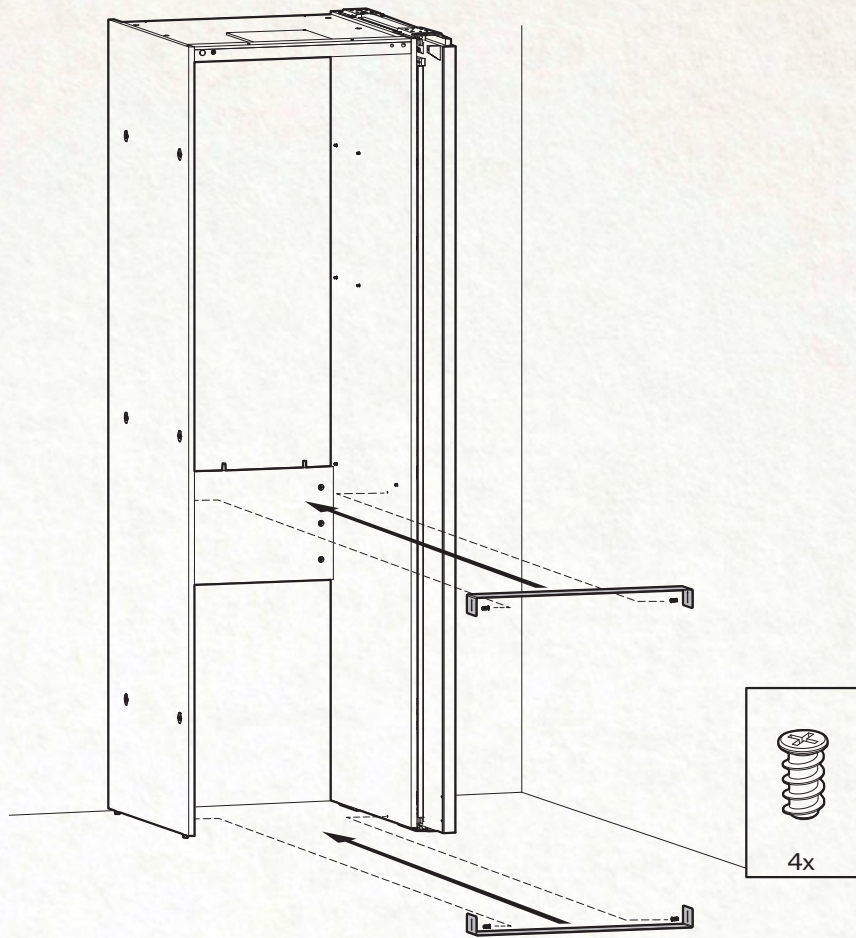
2

MOUNTING OF CABINET BASE SINGLE

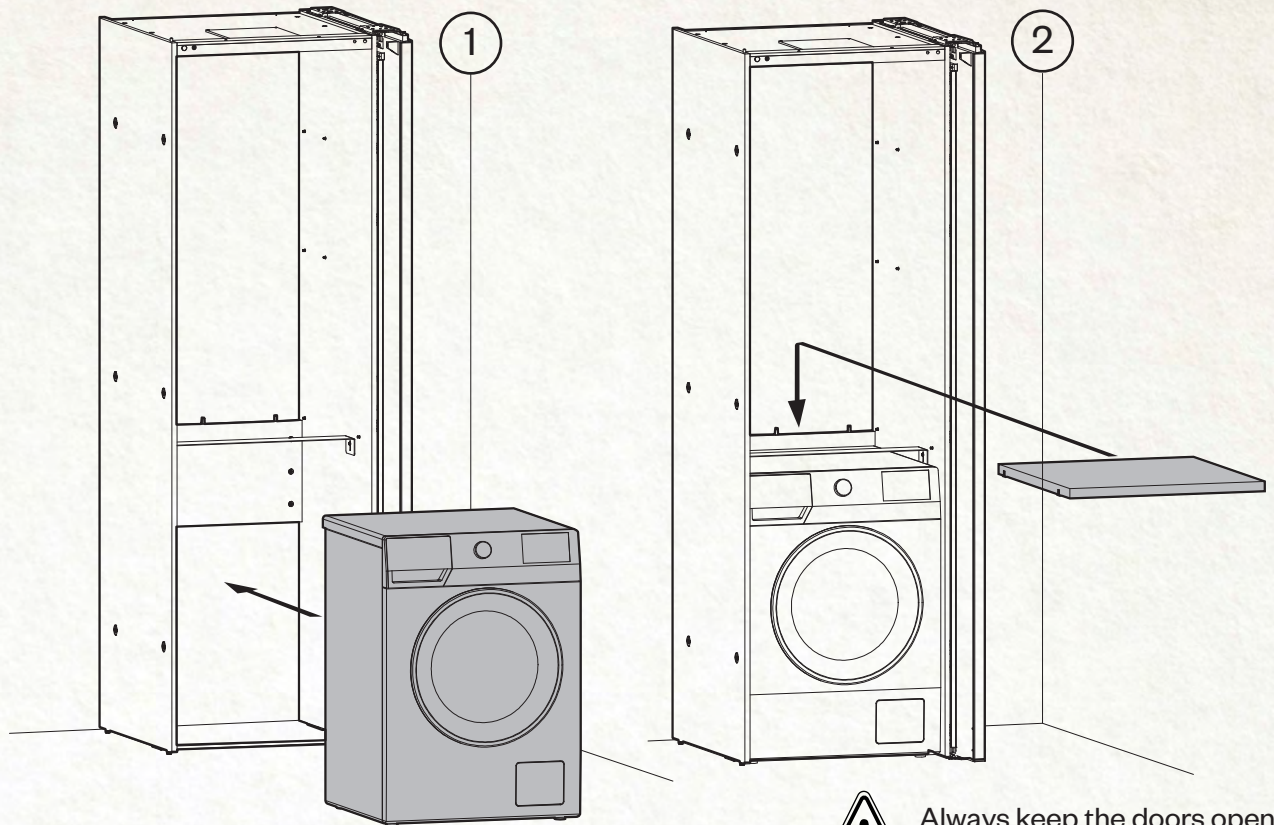


HAVEN

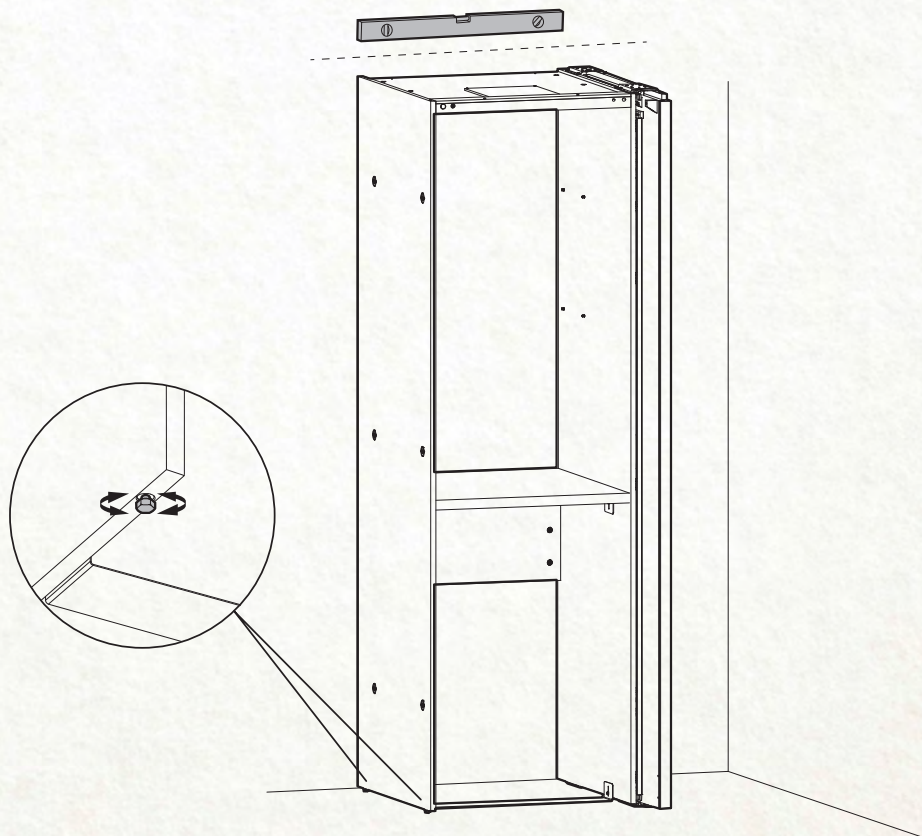
MOUNTING OF CENTER REINFORCEMENTS AND MAIN SHELF*



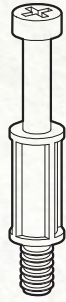
MOUNTING ORDER WITH MAJOR APPLIANCE / ADJUSTING POSITION



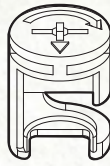
Always keep the doors open during use of machines.



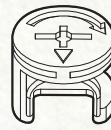
FASTENERS AND ASSEMBLY ITEMS FOR ONE H2 POCKET DOUBLE



16x



10x



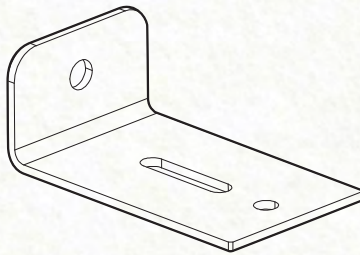
6x



12x



2x



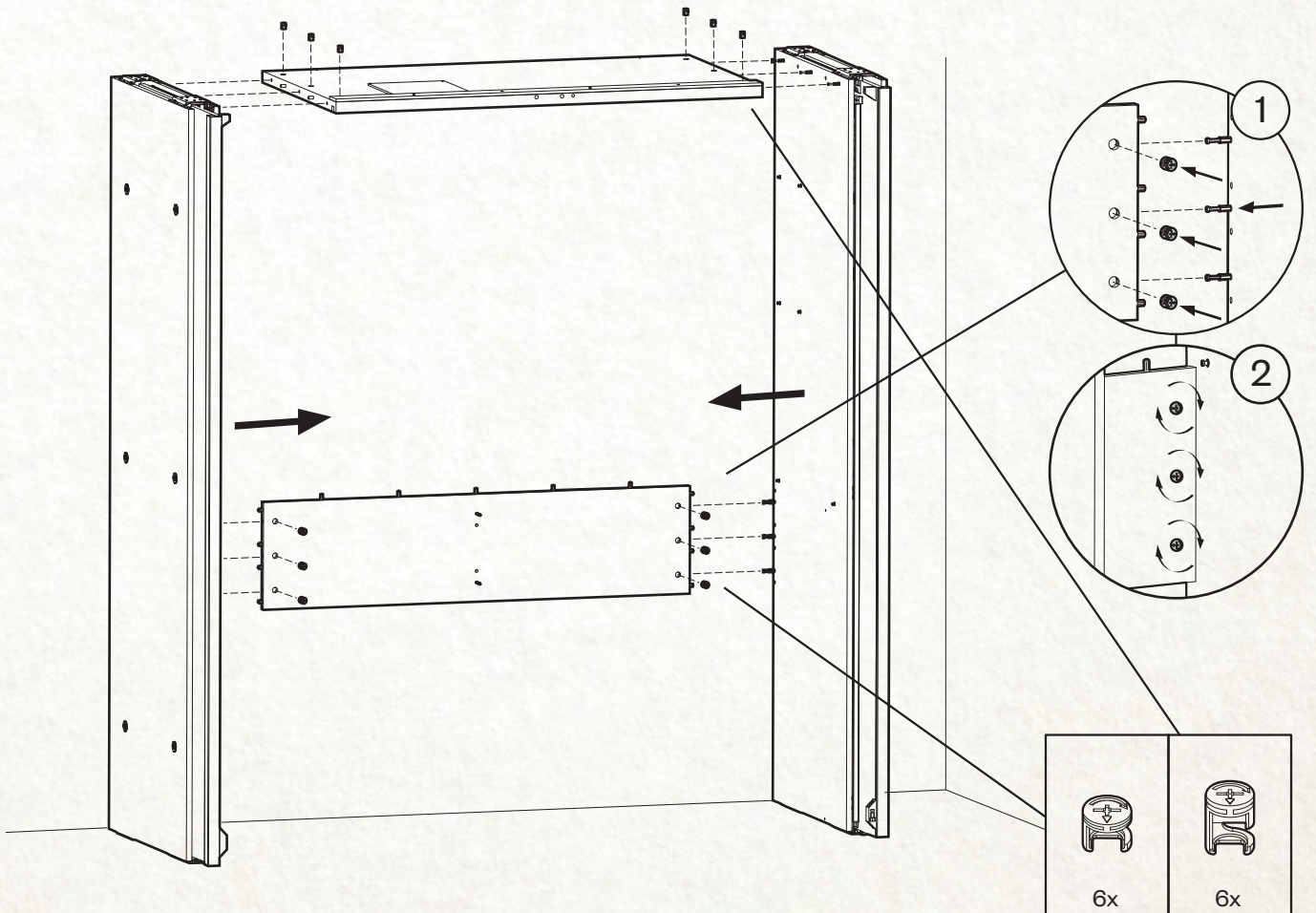
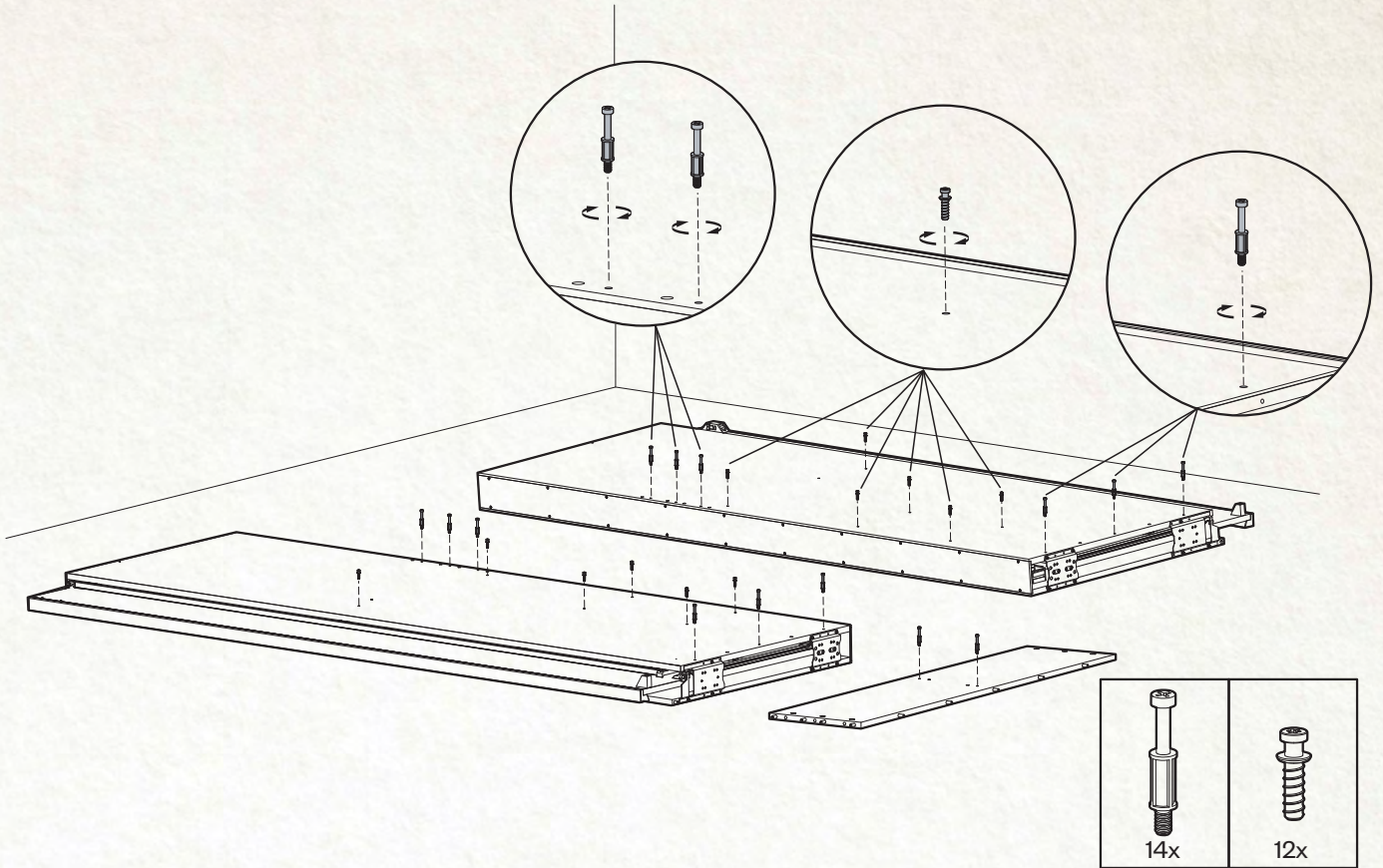
2x



2x

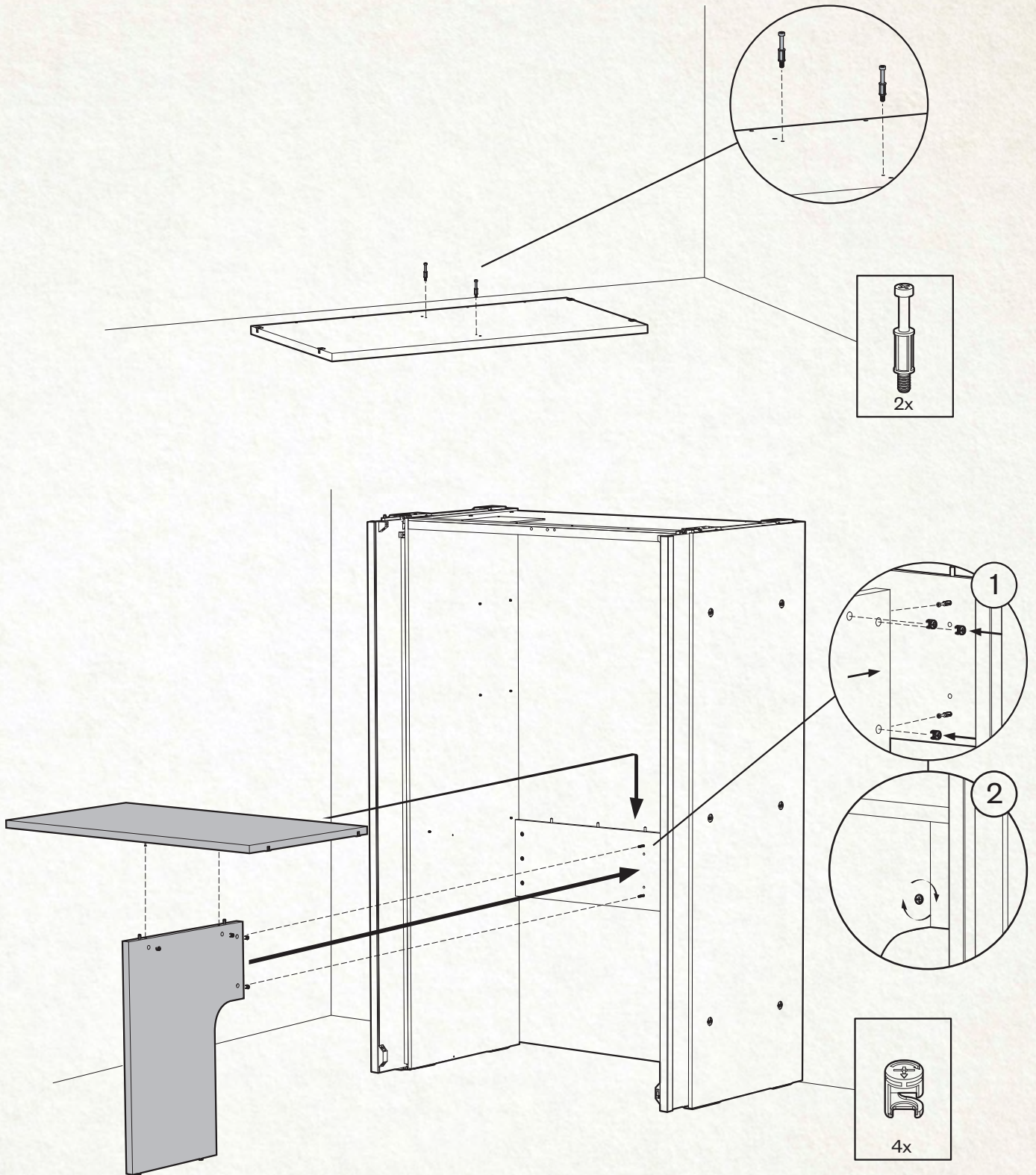
6

MOUNTING OF CABINET BASE DOUBLE

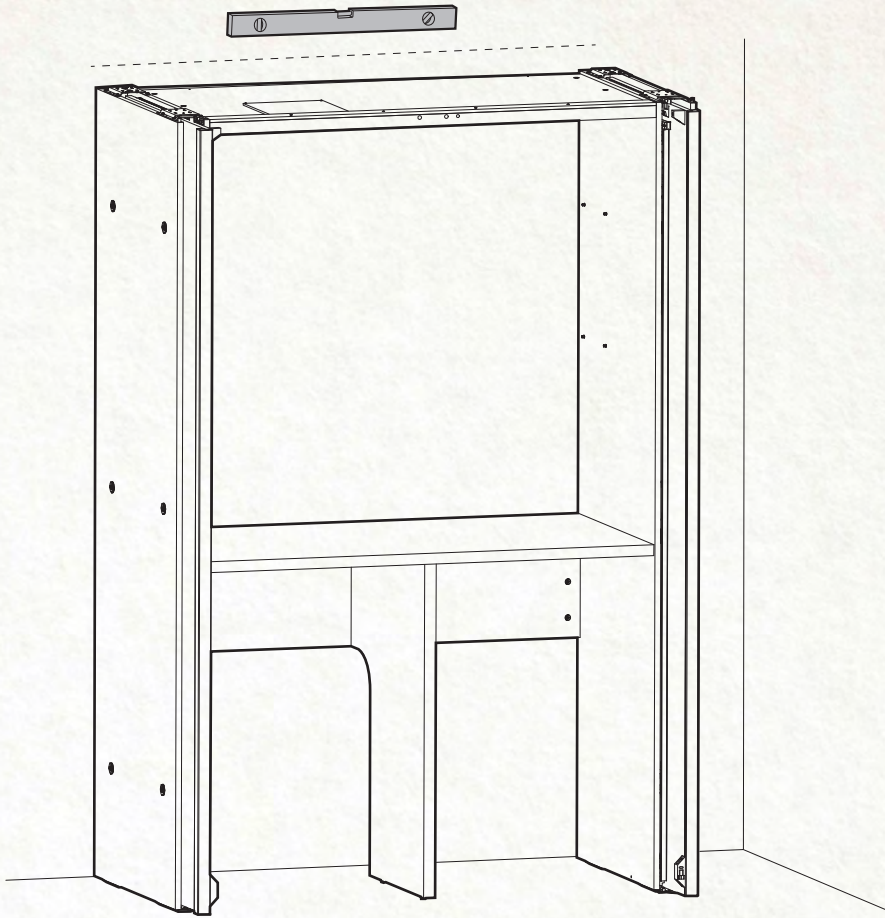


HAVEN

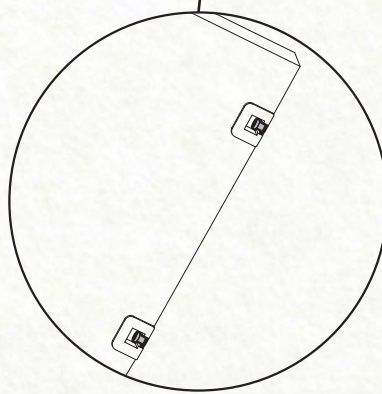
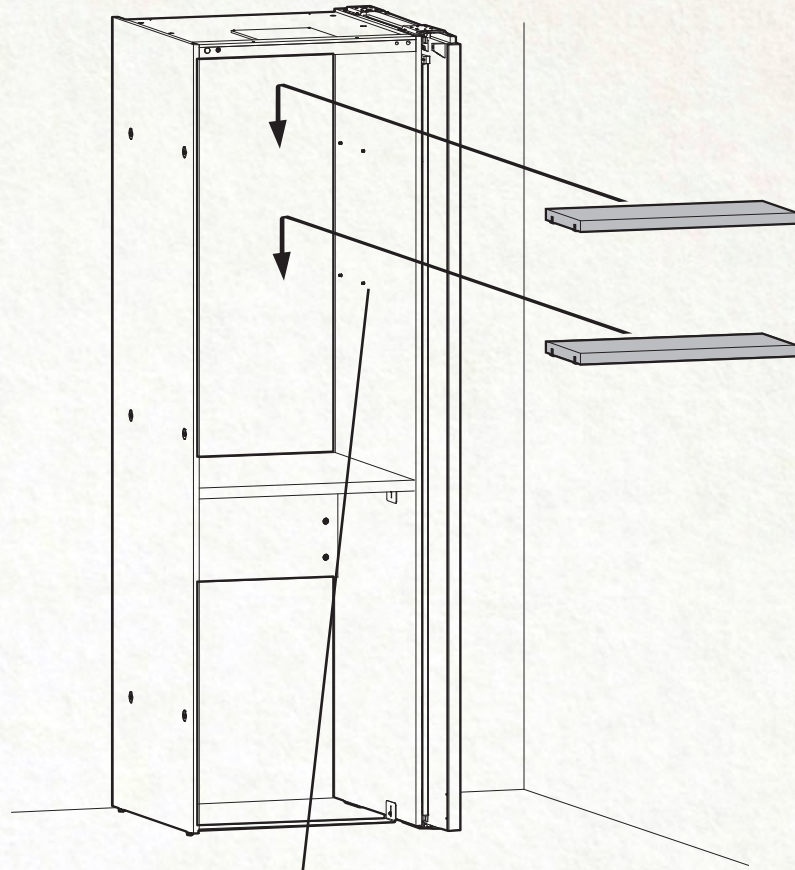
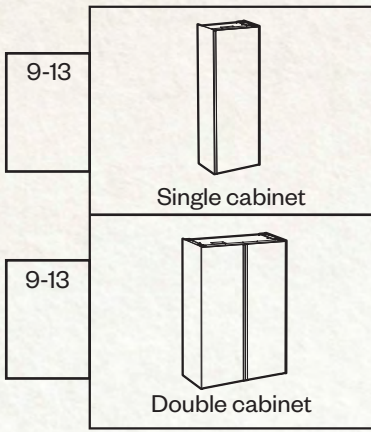
MOUNTING OF CENTER REINFORCEMENTS AND MAIN SHELF



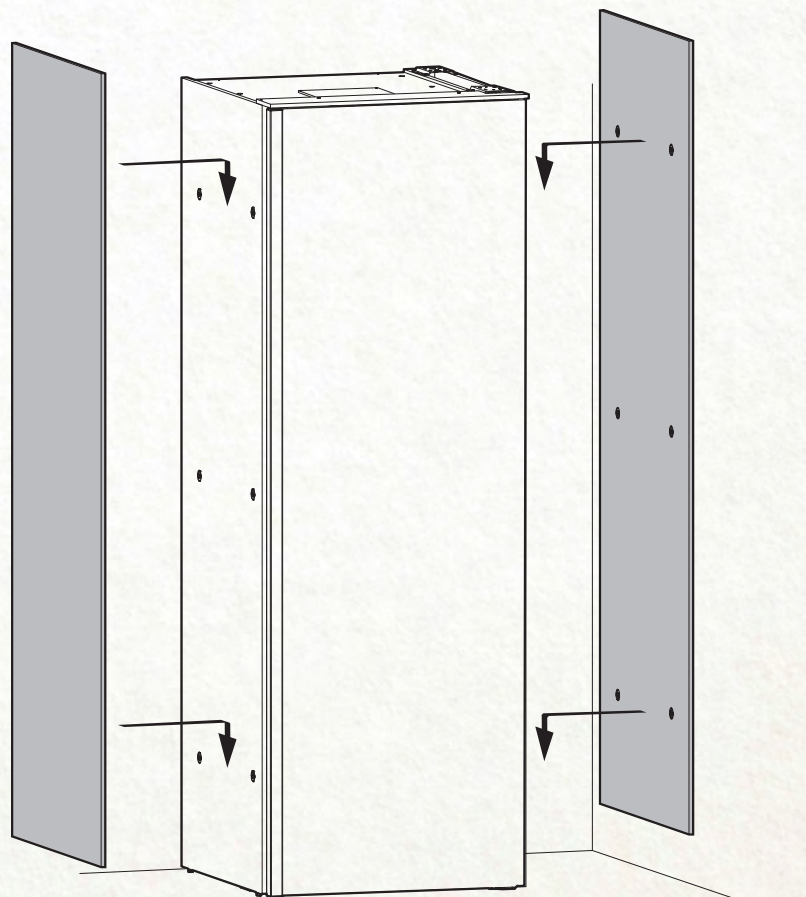
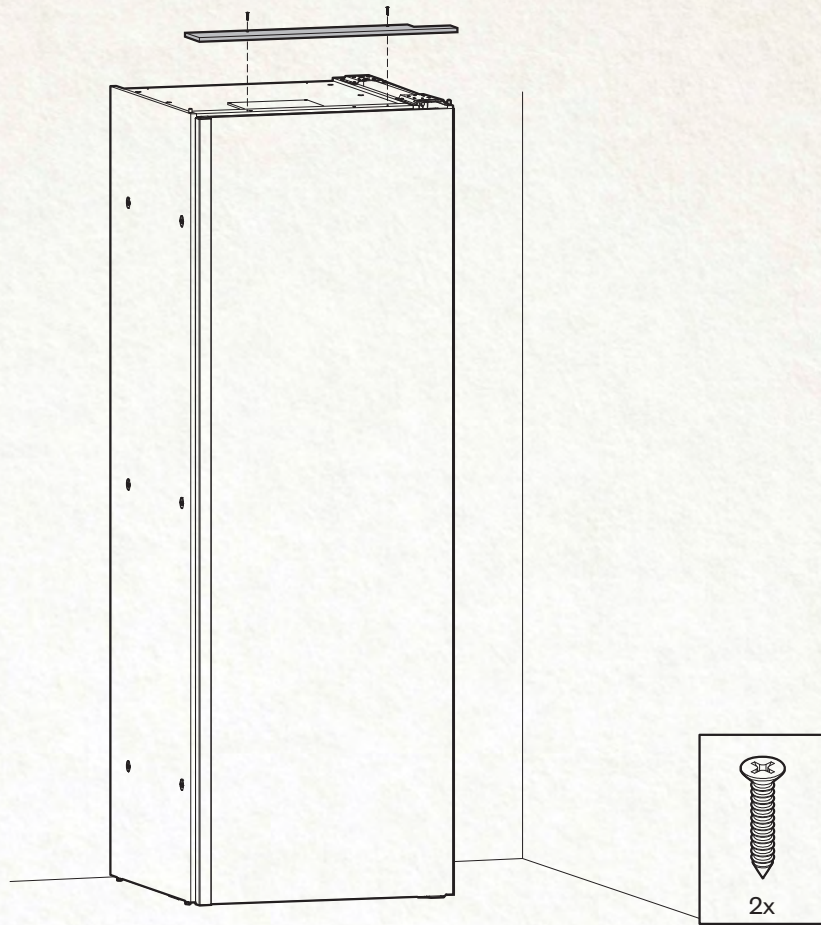
8
ADJUSTING POSITION



MOUNTING OF SHELVES

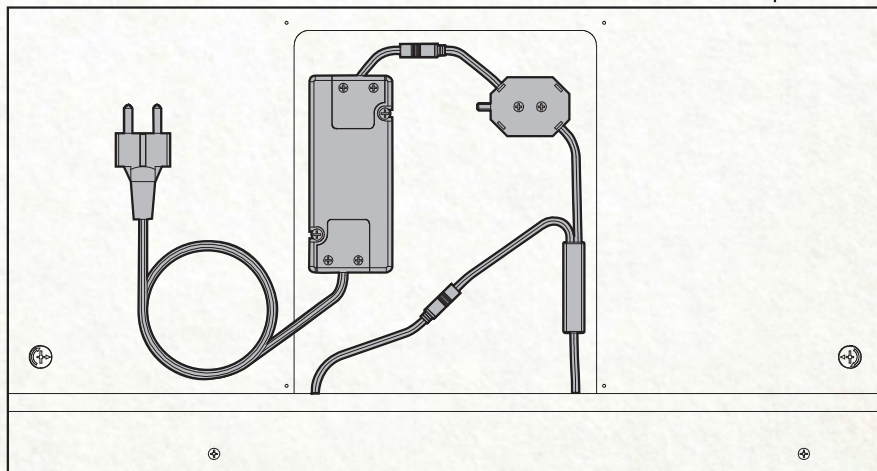
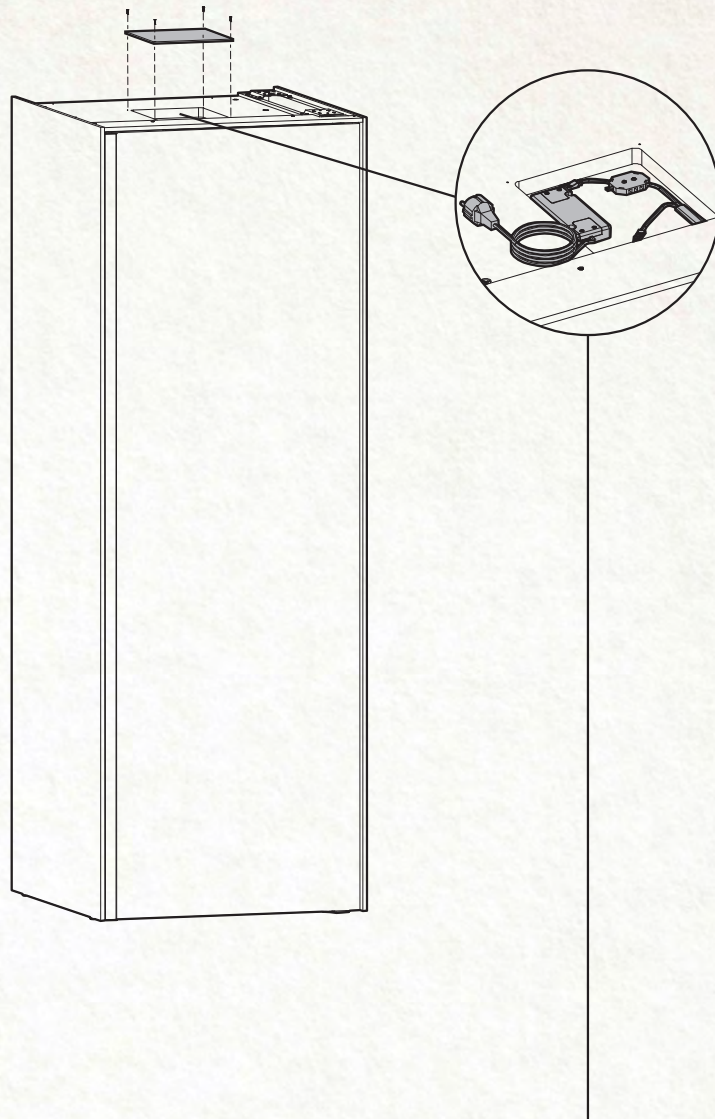


10
MOUNTING OF EXTERIOR COVERS



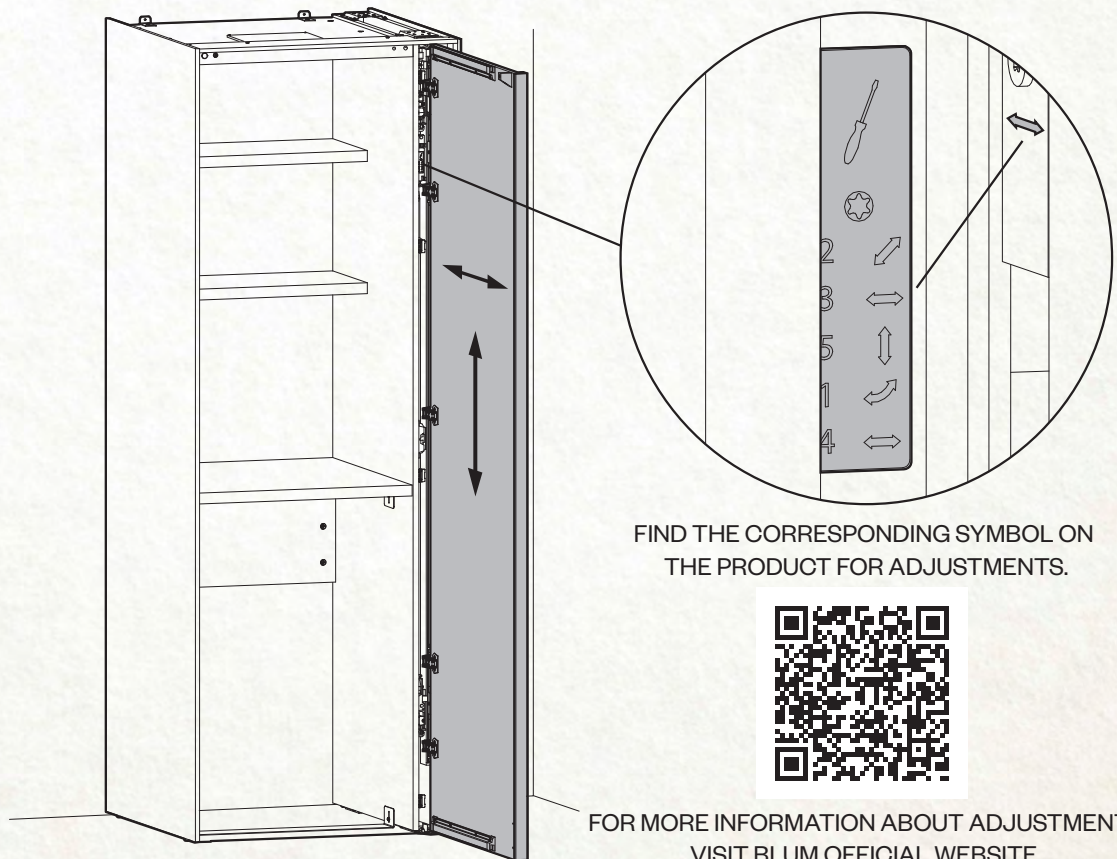
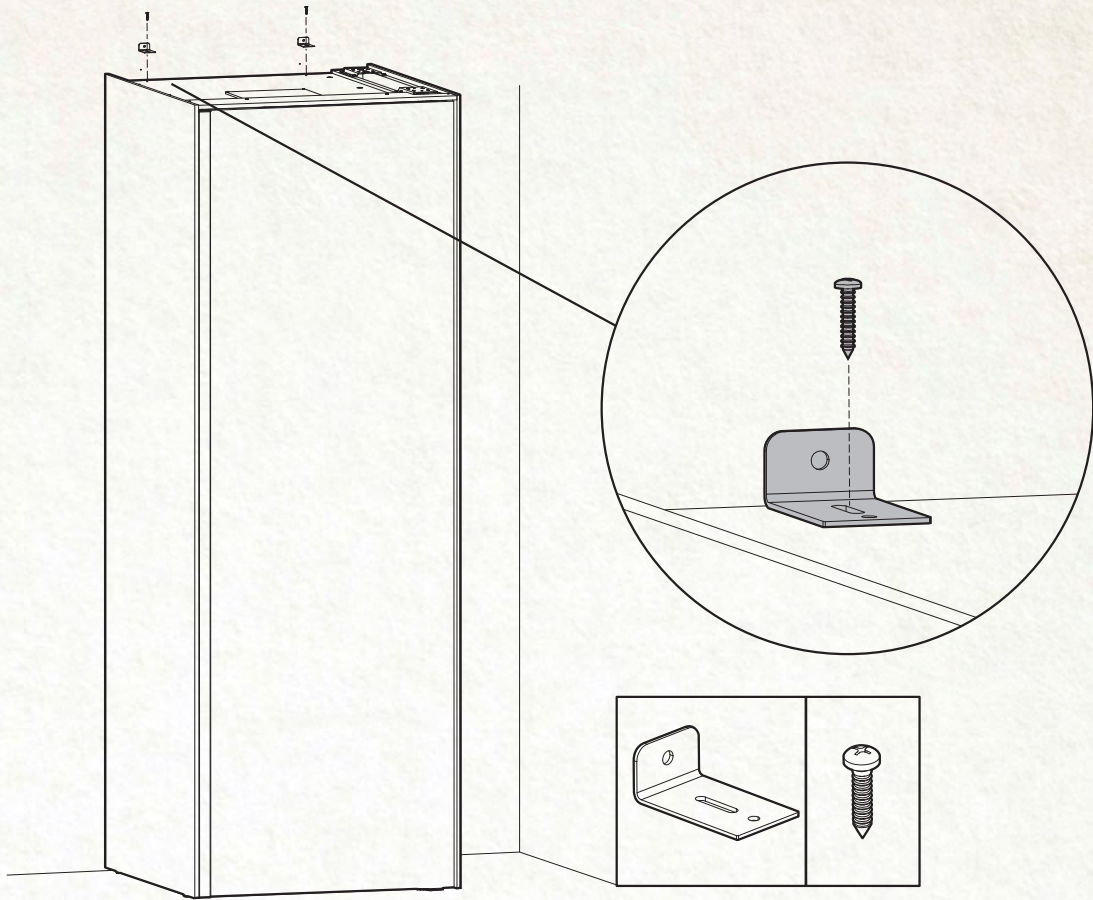
HAVEN

11
WIRING

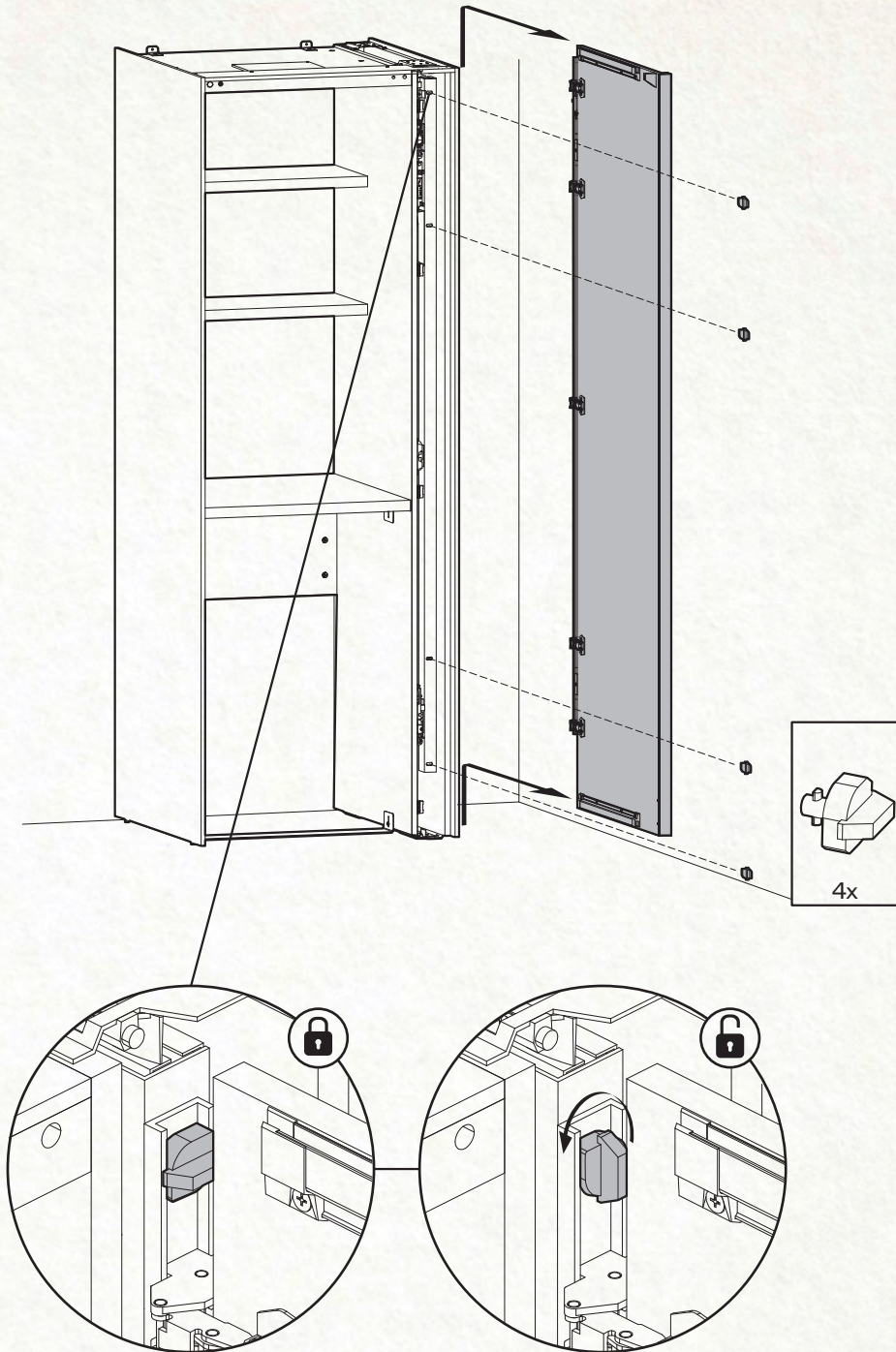


HAVEN

FINAL ADJUSTMENTS OF ASSEMBLY



MAINTENANCE-REMOVING CABINET DOOR



HAVEN



- SE** All inkoppling av el skall utföras av behörig el-installatör.
-Ljuskällor kan inte bytas ut av användaren:
Ljuskällan i denna armatur ska endast ersättas av tillverkaren eller hans serviceagent eller en liknande kvalificerad person.
- NO** All innkobling av elektrisitet skal utføres av kvalifisert el-installatør.
-For ikke-bruker utskiftbare lyskilder:
Lyskilden i denne armaturen skal bare erstattes av produsenten eller hans serviceagent eller en lignende kvalifisert person.
- EN** All electrical connections must be made by a qualified electrician.
-For non-user replacable lightsources:
The light source contained in this luminaire shall only be replaced by the manufacturer or his service agent or a similar qualified person.

Haven System AB
Allégatan 4
SE 313 32 Oskarström

Art nr. 109006

HAVEN